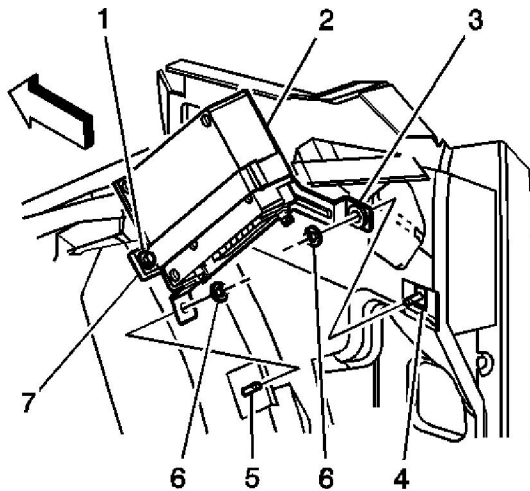


Communication Interface Module Replacement

Removal Procedure

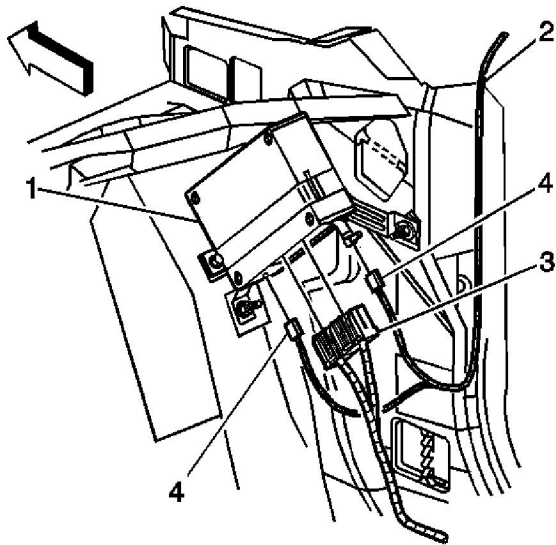
Important: The vehicle communication interface module (VCIM) has a specific set of unique numbers that tie the module to each vehicle. These numbers, the 10-digit station identification and the 11-digit electronic serial number, are used by the National Cellular Network and OnStar® to identify the specific vehicle. Because these numbers are tied to the vehicle identification number of the vehicle, you must never exchange these parts with those of another vehicle.

1. Disable the SIR. Refer to [SIR Disabling and Enabling](#) .
2. Remove the passenger inflatable restraint module. Refer to [Inflatable Restraint Instrument Panel Module Replacement](#) .
3. Remove the instrument panel (I/P) carrier bolts on the passenger side.

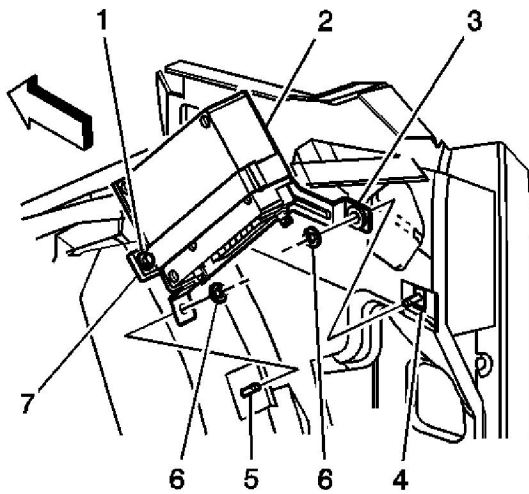


4. Remove the bolt (1) for the module bracket strap (7).
5. Remove the module bracket strap (7) from the mounting bracket (3).
6. Slide the module (2) upward in the mounting bracket.

Important: The generation 5 module uses four connector cavities. In addition, the STID and the ESN information on the generation 5 label can not be used to update the customer account information if the module is replaced. Use a scan tool to access this information.

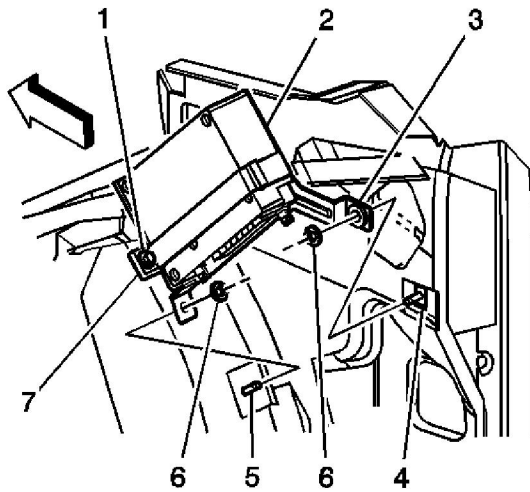


7. Disconnect all the electrical connector (3) from the communication interface module (1).
8. Disconnect all the coaxial cable connectors (4) from the module (1).

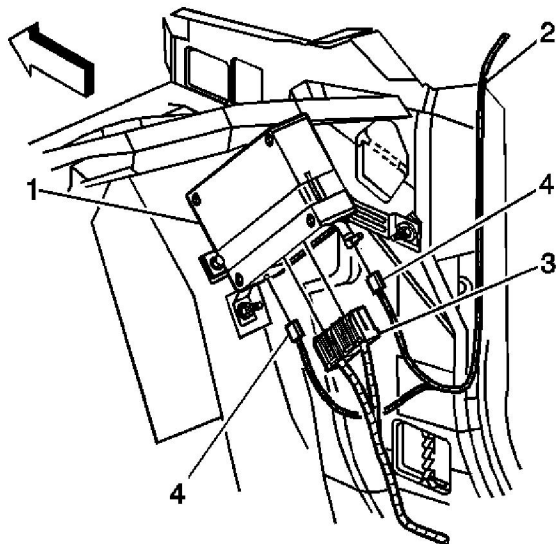


9. Pull downward on the back of the I/P compartment to remove the OnStar® module (2) from the bracket (3).
10. Remove the module (2) through the opening for the passenger inflator module.

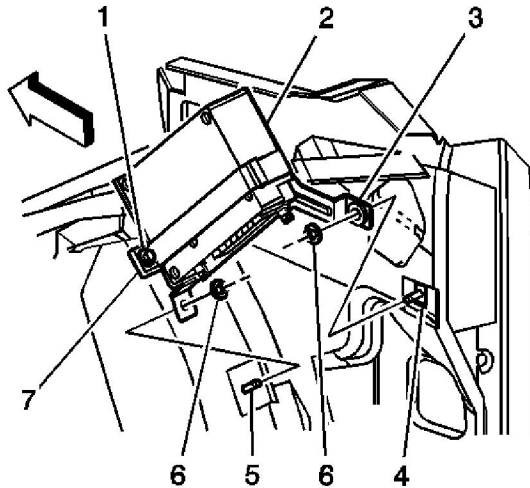
Installation Procedure



1. Install the OnStar® module (2) through the opening for the passenger inflator module.
2. Pull downward on the back of the I/P compartment to install the module to the bracket (3).
3. Slide the unit upward in the mounting bracket.



4. Connect the electrical connectors (3) to the module (1).
5. Connect the coaxial cable connectors (4) to the module (1).



6. Reposition the module (2) in the bracket.
7. Install the module bracket strap (7) to the mounting bracket (3).

Notice: Refer to [Fastener Notice](#) in the Preface section.

8. Install the bolt (1) for the module bracket strap (7).

Tighten

Tighten the bolt to 4 N·m (35 lb in).

9. Install the I/P carrier bolts on the passenger side.

Tighten

Tighten the bolt to 2.3 N·m (20 lb in).

10. Install the passenger inflatable restraint module. Refer to [Inflatable Restraint Instrument Panel Module Replacement](#) .
11. Enable the SIR. Refer to [SIR Disabling and Enabling](#) .

Important: After replacing the vehicle communication interface module, you must configure the OnStar® system. Failure to configure the system will result in an additional customer visit for repair. In addition, pressing and holding the white dot button on the keypad will NOT reset this version of the OnStar® system. This action will cause a DTC to set.

12. Configure the OnStar® system. Refer to [OnStar Reconfiguration](#) .